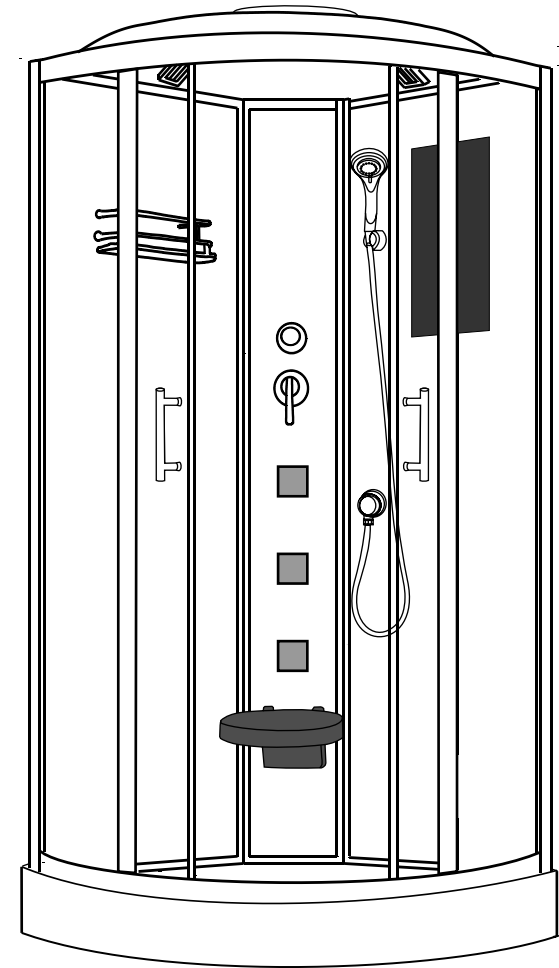
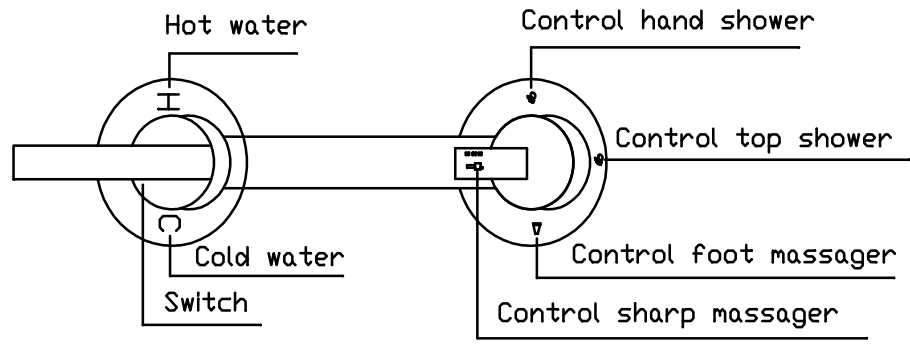
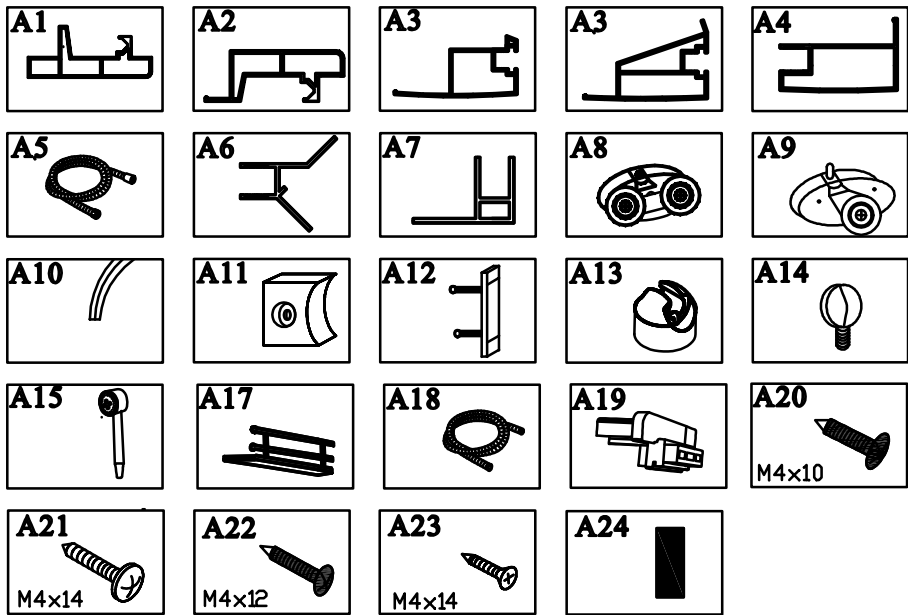


# INSTALLATION MANUAL

---



L-501-C-2



**Using instruction for shower room**

- 1.open the switch,it can a djust the hot and cold water by turning into right and left,it is fine when you feel the temperature is ok.
  - 2.Turning the adjuster ,it can control water running from the hand shower , foot massager,sharp massager and top shower.
  - 3.The hydraulic pressure is 0.4 Mpa in every part.
  - 4.Please turn off the power and switch of the shower room after you used it.
  - 5.Please swab the shower room with soft cloth,it will keep new.
- The front and back of shower room are high - quality tampered glass,please don't impact it

